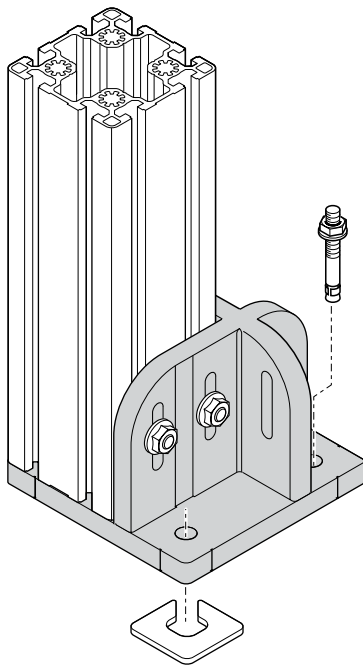
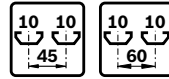


120x120
150x150



19929

Base plate 120x120, 150x150



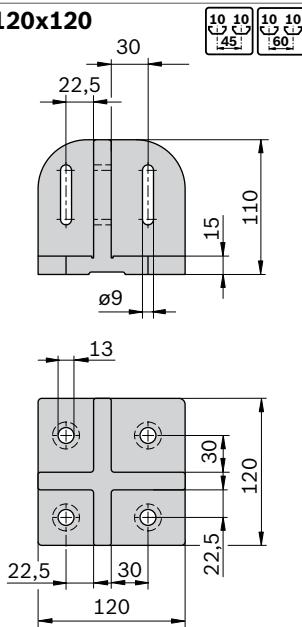
- ▶ For flush mounting of supports. No tripping hazards!
- ▶ Markings arranged at the center of the profile for precise alignment
- ▶ Anchoring with floor dowel

Required accessories:

- ▶ T-bolt M8x30 **3 842 528 721** (p. 3-6)
- ▶ Flange nut M8 **3 842 345 081** (p. 3-6)
- ▶ Floor dowel **3 842 526 561** (p. 6-12)
- ▶ Washer (p. 6-13)

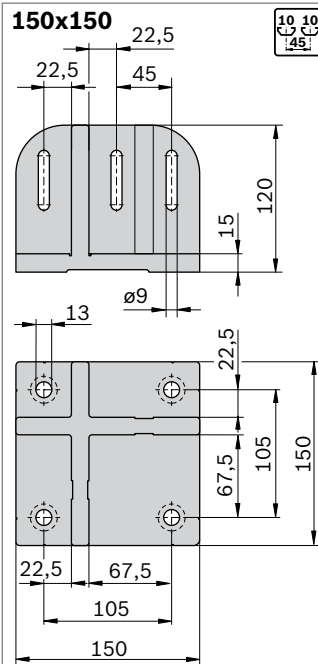
6

120x120



00109708

150x150



00109711

Base plate	ESD	No.
120x120	⚠	3 842 527 553
150x150	⚠	3 842 524 469

Material: Die-cast aluminum